

PLB SERIES Shaftless Screw Press

The PLB is a mechanical device to wash and compact wet solids and sludges collected in waste treatment processes and reduce the volume of solids to be handled or disposed of. They are ideally suited to treat solids from most screening devices.

METHOD OF OPERATION

The PLB consists of a spiral, mechanical geardrive, U-trough housing, screen sections, cleaning shower, and a mechanical tensioning device.

The PLB utilizes a shaft-less spiral to provide the driving force to transport and compact solids. The PLB is always aligned at a slope to provide a counter current movement with the solids being elevated while extracted fluids and wash water drain by gravity. The driving force is "push style" with gearbox mounted on lower end.

Solids are fed into a receiving hopper at the lower end. Free water is removed through a drainage zone screen. The spiral draws solids along a trough section and forced into a screen cylinder for extraction of water. A spring tensioned gate on the end of the housing provides the back pressure that creates a plug of compacted solids. An active shower on the compaction zone screen with a special selection of nozzles washes the solids and aids in flushing away fine solids that are expelled through the screen.

The solids plug is driven through the screen cylinder and drops into solids receiving bin or conveyor.

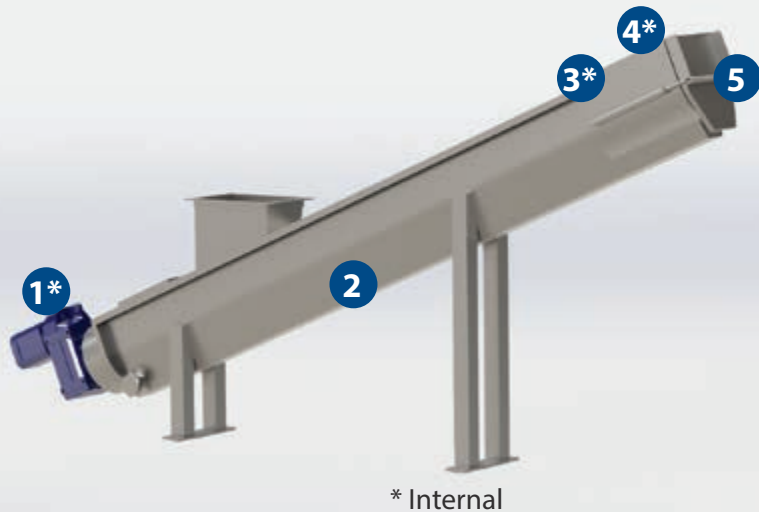


APPLICATION

The PLB are used in many food industry and pulp and paper processes to extract liquid from solids wastes. They are ideally suited for municipal collections containing volatile, putrescent, and fecal compounds that need to be removed before the solids can be disposed of in an environmentally safe manner. In most applications the solids volume is reduced to a third.

Standard units are available in 6, 9 and 12 inch models to handle from .75 - 5 yd³/hr (0.6 - 3.8 m³/hr) of wet solids. Units may be lengthened to allow transport of solids.

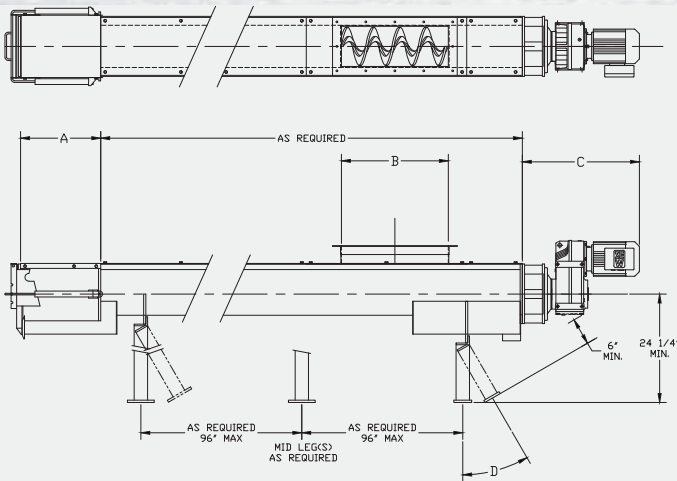




* Internal

PLB DETAILS

1. Spiral, mechanical gear drive
2. U-trough housing
3. Screen sections
4. Cleaning shower
5. Mechanical tensiing device



FEATURES

- 304 stainless steel construction
- Open solids discharge section
- Shaft-mounted, TEFC, geardrive motor
- Spray bar

OPTIONS

- 316 stainless steel construction
- Control panel
- Extensions as required for conveying
- Compacted solids bagger, continuous plastic sleeve

PLB Series Press Capabilities

Model	Diameter - inches (mm)	yd ³ /hr (m ³ /hr)	Min Length - ft (m)	Max Length - ft (m)
PLB 6	6 (152)	0.75 (0.6)	2.5 (0.8)	8 (2.4)
PLB 9	9 (229)	2.5 (1.9)	4 (1.2)	24 (7.3)
PLB 12	12 (305)	5 (3.8)	5 (1.5)	40 (12.2)

This chart is only to be used as a guide. For specific sizing inquiries please contact JWC Environmental.



Headquarters
 2850 S. Red Hill Ave., Suite 125
 Santa Ana, CA 92705 USA
 toll free: **800.331.2277**
 phone: **949.833.3888**
 fax: **949.833.8858**
 email: **jwce@jwce.com**

Industrial Wastewater US Office
 PO Box 3147
 Cumming, GA 30028 USA
 phone: **770.534.3681**
 email: **info@frcsystems.com**

Industrial Wastewater Canada Factory
 2889 Norland Ave.
 Burnaby, BC V5B 3A9 Canada
 toll free: **800.663.8409**
 phone: **604.291.7150**
 email: **jwce@jwce.com**



www.jwce.com